



Your Industrial Valve Safeguard



WHAT IS STEM SHIELD?

Stem Shield provides ideal protection for stem threads on stem and yoke gate valves



WHY STEM SHIELD?

A worker at an offshore oil refinery suffered a back injury when he tripped over a "valve stem" which was allegedly protruding from the floor of the rig upon which he was working.

Jury in New Orleans, LA awarded a \$433,000 verdict to the injured party.

(Rome, Arata, Baxley & Stelly, n.d.)



SAFETY PROTECTION

1. PROTECTION AGAINST INJURY AND INFECTION

Stem Shield protects workers from accidentally cutting, gouging, impaling or otherwise injuring themselves due to exposed stems. The dangers of infection resulting from exposed rusty piping can be prevented by simply covering the piping.



MAINTENANCE PROTECTION

STEM PROTECTION AND LUBRICATION

Protects stem threading from degradation or damage due to a broad range of elements or incidental contact with machinery or tools. *Stem Shield* reduces the need for frequent lubrication by 50%.



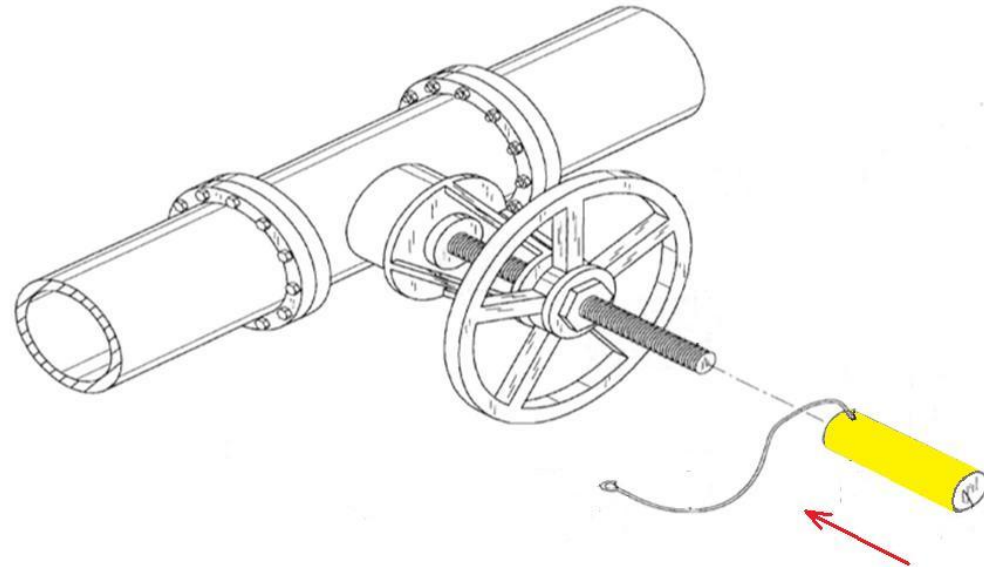
WHAT IS STEM SHIELD?

- Chemically-resistant, waterproof, soft-cell rubber foam enclosed PVC pipe
- Lightweight, durable material withstands extreme temperatures and a broad range of elements
- Highly-visible yellow casing for easy detection
- Stainless steel cable to lock Shield in place without inhibiting operation of valve
- Quick and easy installation



INSTALLATION

Simply slide the **Stem Shield** over an exposed stem and clip the stainless steel tether to the wheel or valve yoke casing. Installation takes less than 15 seconds.



STANDARD SIZES

Size Options



5" (12.7 cm) Stem Shield
Covers valve stems 3-5" in length
and up to 1" (2.5 cm) in diameter



7" (17.8 cm) Stem Shield
Covers valve stems 6-7" in length
and up to 1 1/4" (3.2 cm) in diameter



9" (22.9 cm) Stem Shield
Covers valve stems 8-9" in length
and up to 1 1/2" (3.8 cm) in diameter



12" (30.5 cm) Stem Shield
Covers valve stems 9-12" in length
and up to 2" (5.1 cm) in diameter



18" (45.7 cm) Stem Shield
Covers valve stems 13-18" in length
and up to 2" (5.1 cm) in diameter



For more information,
visit www.Hawesco.com
or call customer service at
1.888.640.4297

