



# DRYER SECTION DOCTOR HOLDER CLEANING TOOL

CLEANING TOOL REDUCES CHANCE OF AN  
INJURY WHEN REMOVING DOCTOR BLADES

**David DeMaio PM/DMSI Administrator Solvay NY**

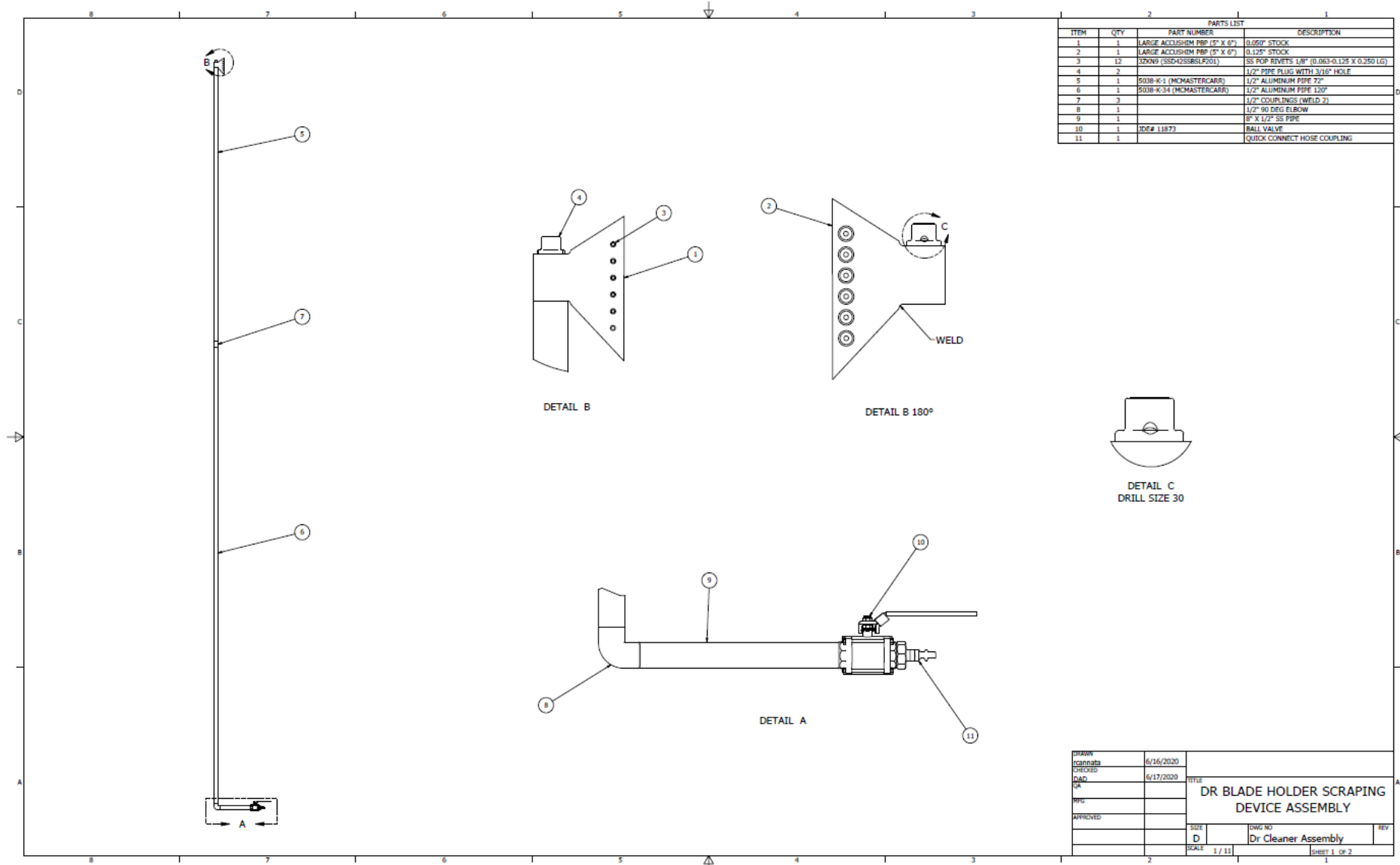
September 8, 2020

# SHARP DOCTOR BLADES PROVED DIFFICULT TO REMOVE AND CHANGE DUE TO DEBRIS INSIDE HOLDERS



- Typical Doctor Holder arrangement
- During a blade change, the holder is relaxed and we pull on the green edge with a special puller to remove the blade.
- Constant tugging and pulling could result in an over-exertion episode causing an injury and lost work days.
- To minimize the effort, the holder must be cleaned of any debris each time a blade is changed.

# DOCTOR HOLDER CLEANER TOOL DESIGN SHEET 1 OF 2



# DOCTOR HOLDER CLEANER TOOL DESIGN SHEET 2 OF 2

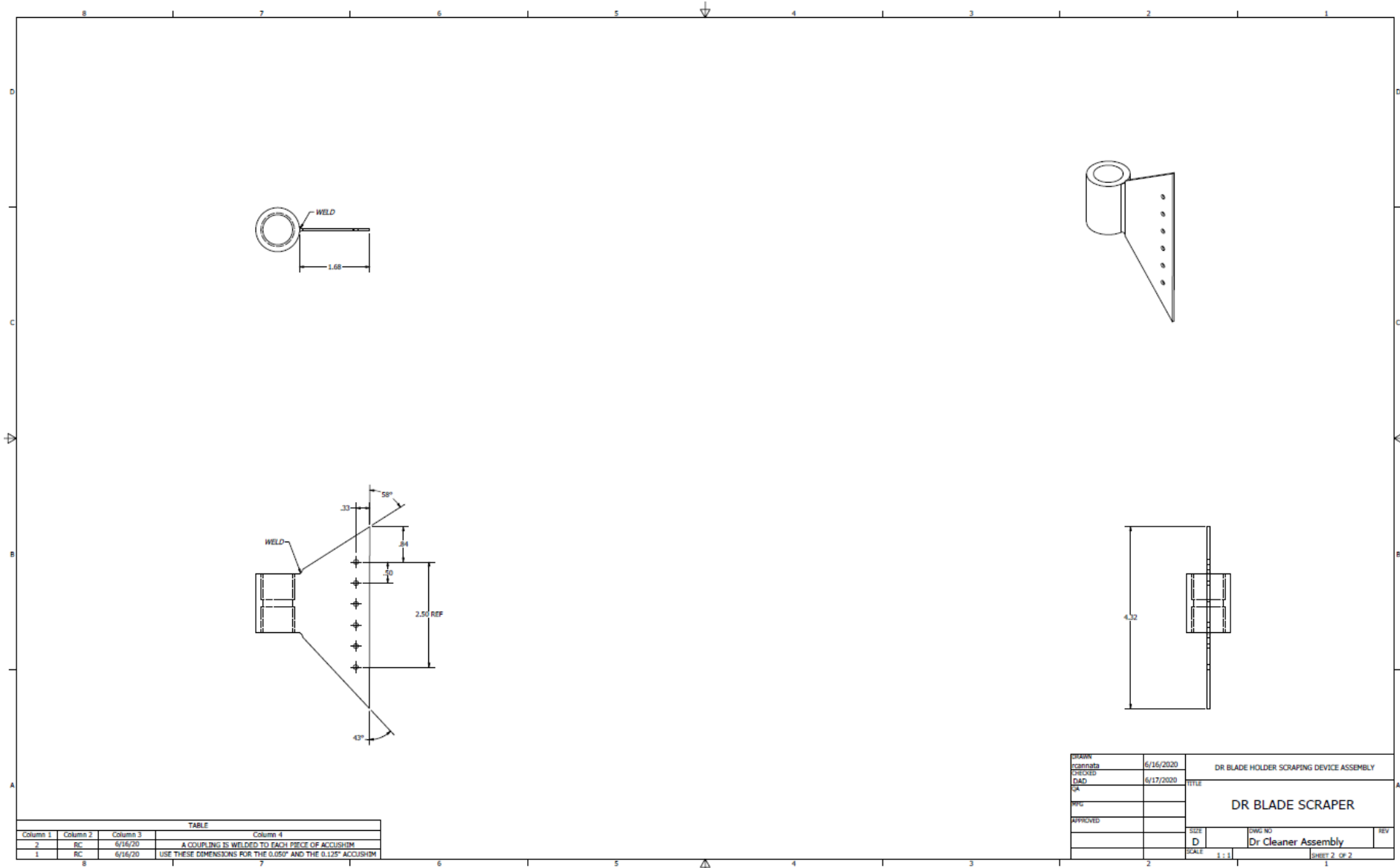


TABLE			
Column 1	Column 2	Column 3	Column 4
2	RC	6/16/20	A COUPLING IS WELDED TO EACH PIECE OF ACCUSHIM
1	RC	6/16/20	USE THESE DIMENSIONS FOR THE 0.050" AND THE 0.125" ACCUSHIM

DRAWN	6/16/2020	DR BLADE HOLDER SCRAPING DEVICE ASSEMBLY	
CHECKED		TITLE	
DATE	6/17/2020	DR BLADE SCRAPER	
BY		SIZE	DWG NO
REV		D	Dr Cleaner Assembly
APPROVED		SCALE	1:1
		SHEET 2 OF 2	

# DOCTOR BLADE HOLDER DESIGN (WESTROCK)

We built our cleaning tool using materials stocked in the plant.

Our cost was about \$300.00, Supplier's cost \$3,800.00

Stainless Steel rivets do the cleaning, while a hole in the end plug provides water for flushing.

O.A.L. is 192" of reach using a (2) piece design of ½" aluminum piping with shut-off.



# DOCTOR BLADE HOLDER DESIGN (WESTROCK)

The actual cleaning blades are made from Stainless Steel Shim stock of varying thicknesses.



# DOCTOR BLADE HOLDER SUPPLIER COST

**Quotation**

James Ross Limited • Ontario Canada K6T 1A9

**James Ross**

February 17, 2020  
**Quote No. 20-0228**

**WESTROCK**  
Solvay Mill  
53 Industrial Drive  
Syracuse, New York  
13204

**Attention:** David McCallops      **Cc.:** Paul Moore; Douglas Kabat

**Phone/Fax:** (315) 484-9050 / (315) 703-9430

**Email:** [david.mccallops@westrock.com](mailto:david.mccallops@westrock.com); [paul.m.moore@westrock.com](mailto:paul.m.moore@westrock.com);  
[douglas.kabat@westrock.com](mailto:douglas.kabat@westrock.com)

**Subject:** Blade Ease Blade Holder Cleaner

In response to the discussions with our Field Service Manager, Mr. Greg Blair, regarding the above subject, we are pleased to submit the following quotation for your review and consideration. Please note all prices shown are in US dollars.

<u>Item</u>	<u>Description</u>	<u>Qty</u>	<u>Unit Price</u>	<u>Extended Price</u>
1	<b>Blade Ease Blade Holder Cleaner Consisting Of:</b>  - Blade Holder Cleaner: Blade holder cleaning head complete with 5 nozzles fabricated in 316 stainless steel complete with 6 segmented aluminum pipe sections x 48 inches long with cam lock connectors at each end to provide cleaning capability for a 243 inch long blade holder, complete with 5.25 inch wide and 3 inch wide blades.	1	\$3,811.00	\$3,811.00

**08 12 2020**

**Total Price: \$3,811.00**

*Handwritten note in a circle: 3811.00 vs 3000.00*

