

ANSI SRL Update

Guy Rogers
FallTech

Regional Sales Manager
Louisiana, Mississippi, Lower AL and FL
Panhandle

Fall Protection Standard Highlights

ANSI/ASSP Z359.14-2021 Changes

2014 Class A & Class B

- MAF: 1,800 lbf
- AAF: 1,350lbf (A) / 900 lbf (B)
- AD: 24” (A) / 54” (B)

2021 Class 1 & Class 2

- MAF: 1,800 lbf
- AAF: 1,350 lbf
- AD: 42”

Fall Protection Standard Highlights

ANSI/ASSP Z359.14-2021 Changes

SRL



SRL-P



SRL-R



Fall Protection Standard Highlights

ANSI/ASSP Z359.14-2021 Changes

Class
1
Anchor at or
above dorsal D-ring



Class
2
Anchor above or
below dorsal D-ring



Fall Protection Standard Highlights

ANSI/ASSP Z359.14-2021 Changes

- Testing requirements changes
 - Test mass move up to 310 lbs. for all testing previously 282 lbs. or 300 lbs.
 - Static testing requirement moves up to 3,600 lbf previously 3,000 lbf
 - Presents a challenge to 3/16" cable design units
 - Presents significant compliance challenge for Stainless Steel cable units

Fall Protection Standard Highlights

ANSI/ASSP Z359.14-2021 Changes

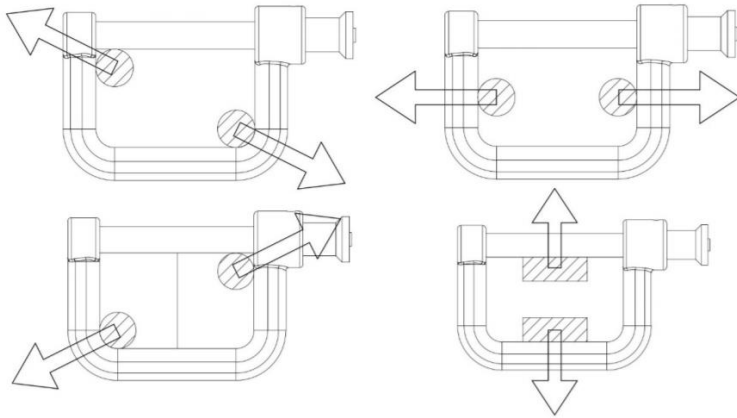


Figure 9: Examples of Load-Orientations for SRL-P Connectors

- Significantly more product testing required
 - Twin SRL testing (in response to an industry recall in 2019)
 - Twin SRL connectors
 - Tie-back SRL wraparound beam testing
 - Tie-back SRL webbing abrasion testing
 - Locked Pawl Testing
 - SRL-P Misuse Testing
 - Energy Capacity Testing

Fall Protection Standard Highlights

ANSI/ASSP Z359.14-2021 Changes

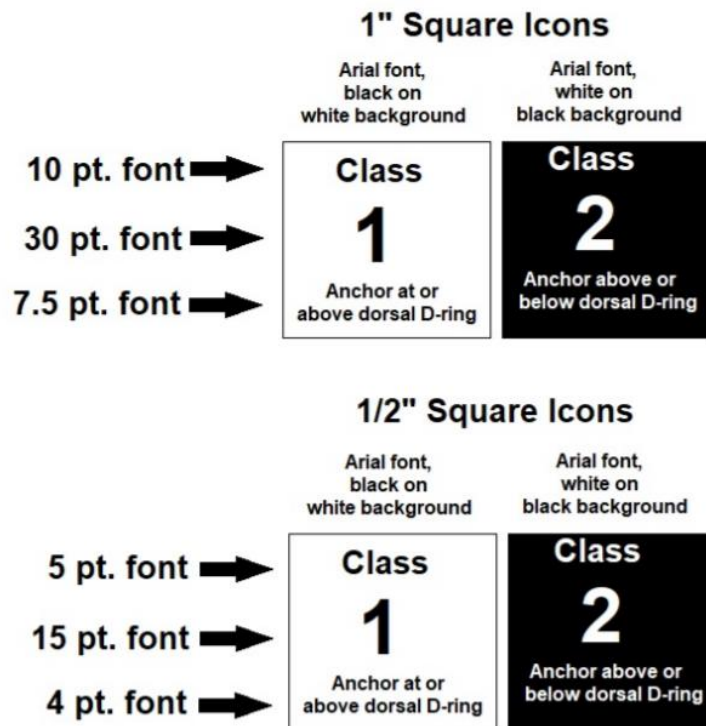
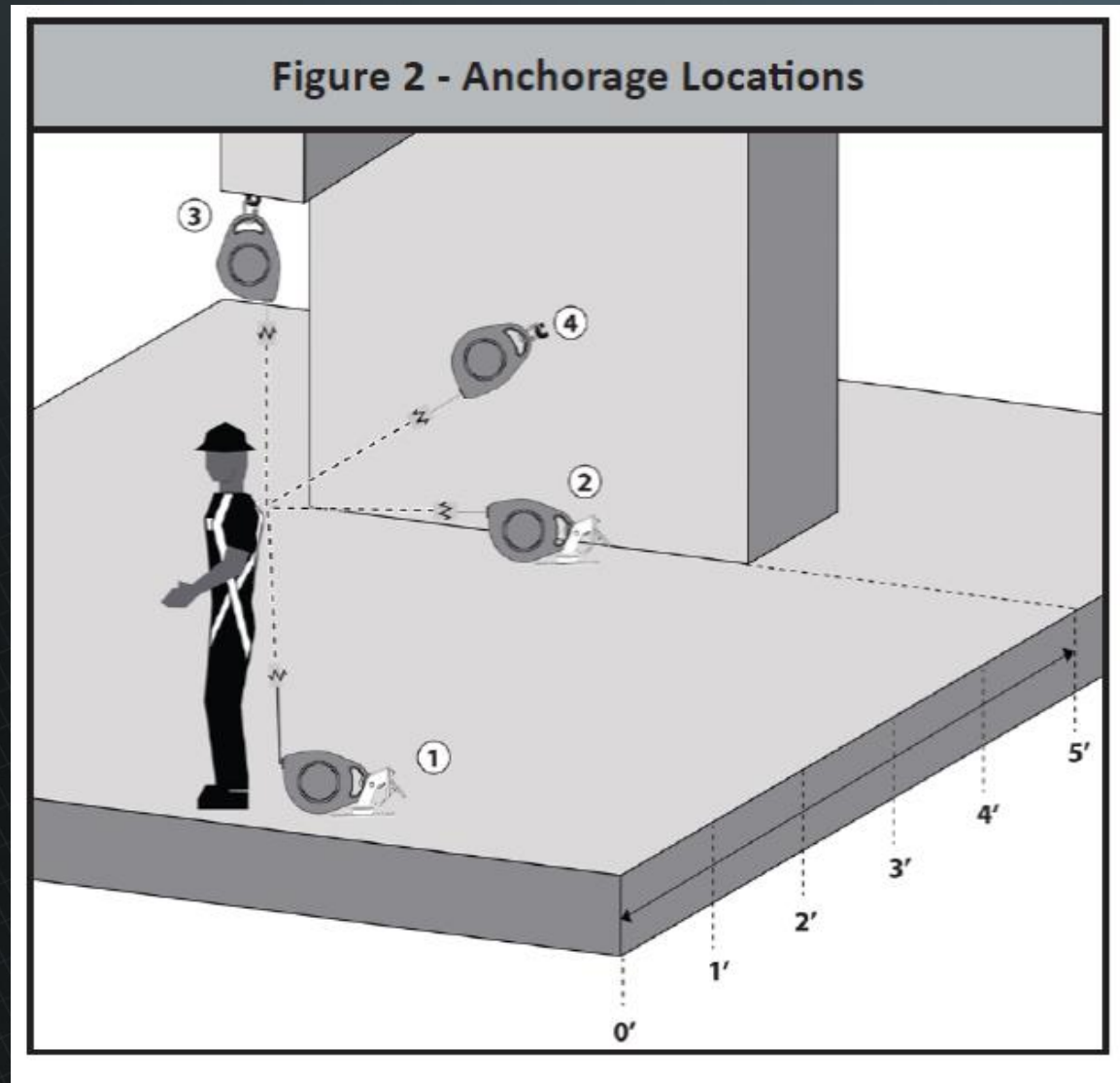


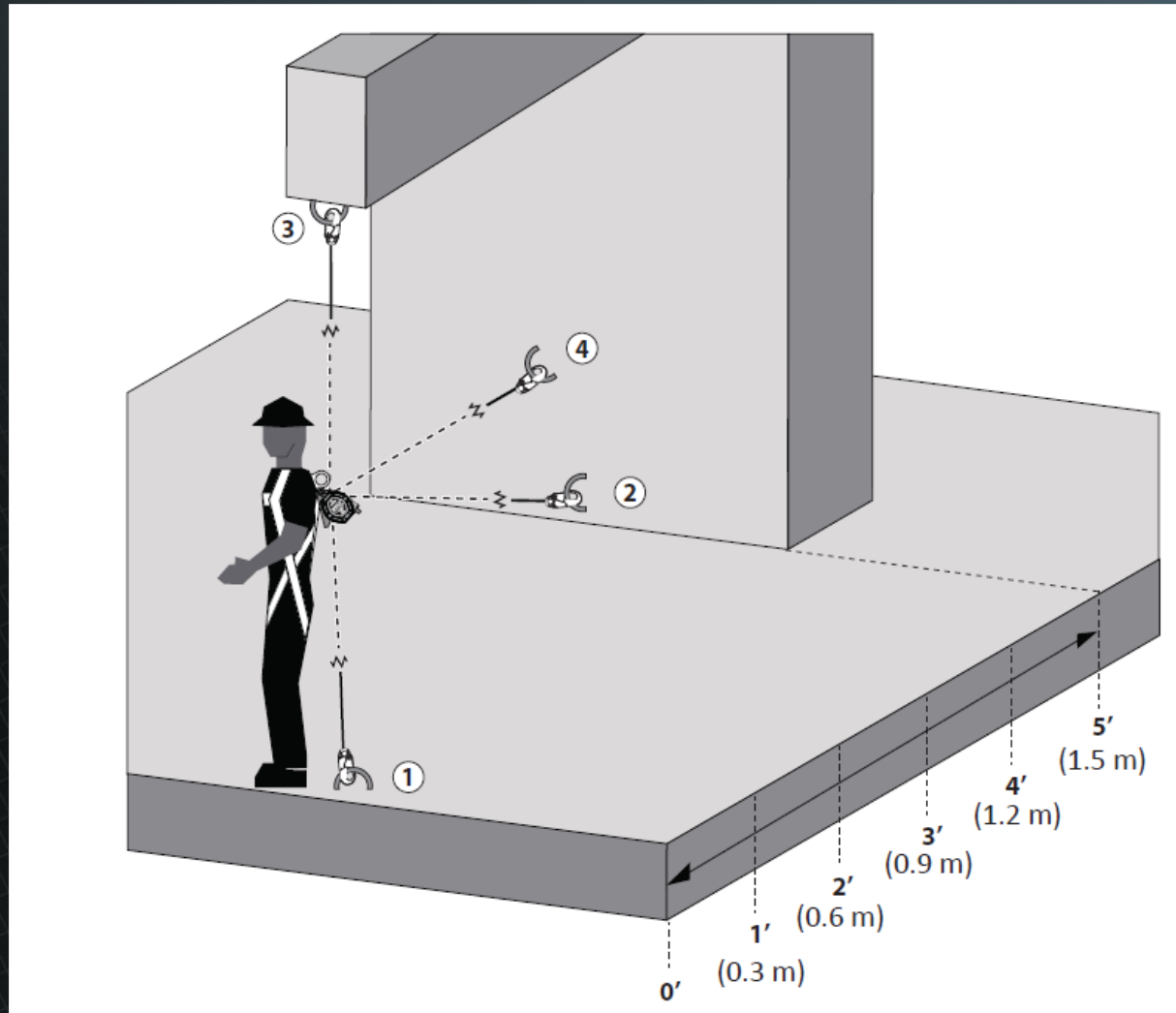
Figure 14: Class Designation Icons

- Major changes to product labeling and markings
- Unchanged:
 - Leading Edge sharpness remains at 0.005"
 - No provisions for testing on any substrate besides steel
 - Claims for approval on other substrates such as concrete, are done by manufacturer and are non-standardized

Class 2 SRL Anchorage Locations



SRL-P Anchorage Locations



FallTech's Booth is #19

Please stop by for more
information on this very
important standard change.